



# **ice<sup>2</sup> 1.3 MP HD Analogue Wedge Dome Camera**

Part of Dedicated Micros new line of high performance HD analogue video surveillance cameras, the Ice2 1.3MP wedge dome camera features the Sony IMX225, D-WDR enabled sensor, 3.6mm fixed lens with 10m IR producing either standard definition, or HD 720p video.

The Ice2 cameras are as simple to install as standard analogue cameras, with no networking or licensing requirements, capable of rapidly transmitting quality HD video up to 500m over standard coaxial cables with next to zero latency on the local system.

Ideal for legacy upgrades, the Ice2 cameras are capable of utilising existing analogue cabling to simplify the process of transferring from standard definition to high definition video recording at a fraction of the cost of a comparable mega-pixel IP solution.

Ice2 is designed to be coupled with the enhanced SD Advanced DVR/NVR which now has HD analogue support on models of 6TB and above



## **Features & Benefits**

**1.3 Megapixel Sony IMX225 Sensor**

**Up-the-coax control of camera menus**

**Utilise Existing Legacy Cabling**

**3.6mm Fixed Lens**

**Up The Coax On Screen Menu Control**

**IP65 rated**

**Live Tracking Due To Speed Of Transmission**

**MultiMode – Save Up To 50% On Recording**

**TransCode – Optimised Remote Playback**

**720p HD Video Over Coax**

**Up To 500m Coax Cable Length**

**10M IR Distance**

**Next To Zero Latency On Local System**

**D-WDR**

**Alarm Handling (With SD Advanced DVR/NVR)**

**Auto Gain Control**

## Why HD Analogue?

### **Megapixel Resolution**

HD Analogue delivers cost effective high definition images for applications requiring a greater level of detail, such as for identification purposes.

### **Low cost, simple installation**

HD Analogue is as simple to install as standard analogue CCTV, with no networking or licensing requirements. Existing cabling can be utilised.

### **Low latency**

Transmission of HD Analogue video is fast, which enables live tracking with next to zero latency on the local system

### **Up-the-coax Control**

The Ice2 cameras offer up the coax (UTC) control of the cameras menu, this allows for complete configuration of the camera from the DVR, without need to go back and physically access the unit. A variety of options can be changed from the DVR including:

- Exposure
- Digital WDR
- White Balance
- Day/Night Control

### **Longer Transmission**

Transmit HD video up to 500m over standard coaxial cable without signal boosters, five times the distance of IP systems which are run on standard network cabling.

### **Legacy Upgrades**

HD Analogue is ideal for upgrading legacy sites. High Definition 720p images can be achieved whilst maintaining the current cabling infrastructure, drastically reducing installation time and costs.

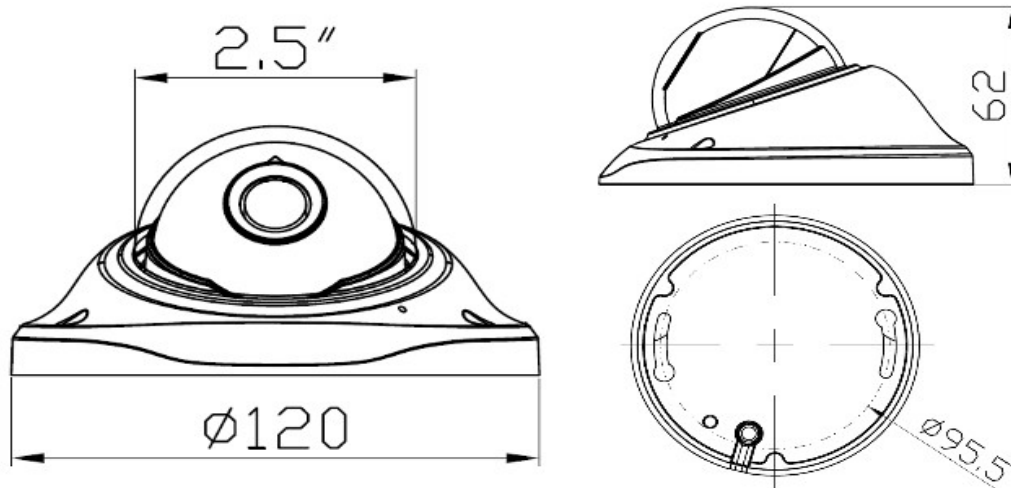
### **Cost Effective**

HD Analogue technology is competitively priced vs. less-powerful traditional analogue, while being a fraction of the cost of a comparable megapixel solution.

### **Dedicated Micros Support**

When buying a HD Analogue system from Dedicated Micros you gain access to high quality product support. From the service centre to technical support team, there is a single point of contact to ensure an outstanding user experience

## Technical Drawing



## Ordering Information

| Part Number       | Description                                     |
|-------------------|---|
| ICE2-MW/720/3M6/I | HD 720p and standard analogue Wedge Dome 10m IR |

## Technical Specification

| Camera Specification         |  |
|------------------------------|--|
| Image Device                 | 1/3" Sony IMX225 1.3MP   |
| Image Resolution             | 720p (1280x720) / 960H (960x480)   |
| Minimum Illumination         | Colour: 0.001 Lux / F2.0: B/W: 0 Lux / F2.0 (IR on)                            |
| Video Output Mode            | High Definition Analogue 720p / CVBS 700TVL                                    |
| TV System                    | PAL / NTSC   |
| S/N ratio                    | ≥ 48 dB  |
| Gamma                        | 0.45   |
| Synchronisation System       | Internal   |
| Scanning System              | 2:1 Interlace  |
| Lens                         | 3.6mm (fixed)  |
| Camera Set Up                |  |
| Wide Dynamic Range           | D-WDR Auto / off / on  |
| Electronic Shutter           | PAL:1/25 ~ 1/50,000sec; NTSC:1/30 ~ 1/50,000sec ; Auto / FLK / Manual Max X 30 |
| AGC                          | 0-15   |
| Brightness                   | 1~100  |
| Defog                        | Auto: On / Off   |
| Back-light Mode              | Off / BLC / HSBLC  |
| White Balance                | AWB / AWC → SET / Indoor Mode / Outdoor Mode / Manual Mode                     |
| Noise Reduction              | 2D / 3D-Low/Middle/High  |
| Picture Adjustment           | Mirror / Negative Film / Sharpness / Brightness / Freeze                       |
| Motion Detection             | 4 Zones / Alarm  |
| Privacy                      | 4 Zones  |
| Day & Night                  | Auto / Colour / B/W / EXT  |
| Defective Point Compensation | Live DPC / White DPC / Black DPC-ON/OFF  |
| Language                     | ENG/CHN1/CHN2/GER/FRA/ITA/SPA/POL/RUS/POR/NED/TUR                              |
| General                      |  |
| Operation Temperature        | -10C~ +50C RH95% Max   |
| Storage Temperature          | -40C~ +60C RH95% Max   |
| Level Of Protection          | IP65   |
| IR Distance                  | 10 Meters (12 pcs IR LED's)  |
| Power Source                 | DC 12V 1A  |
| Colour                       | White  |
| Net Weight                   | 0.40kg   |
| Warranty                     |  |
|                              | 1 year plus additional free 1 year when product registered                     |

v1.1 29.06.17 © Copyright NetVu Ltd

Design and specifications are subject to change without notice E&O.E

