



SmartVu 2.0 Megapixel Pan Tilt Zoom Dome

Part of Dedicated Micros HD IP video surveillance cameras, the updated SmartVu 2015 range features the Pan-Tilt-Zoom with 1/4" Sony CMOS sensor.

The SmartVu PTZ dome camera is a high definition IP Camera offering up to 2 megapixel image streams in a choice of compression formats. With direct configuration from associated Network video recorder (SD Advanced NVR), the SmartVu PTZ contains a powerful suite of enterprise-scale capabilities and The new HD SmartVu product range is also designed for Dedicated Micros next generation of video surveillance - Closed IPTV.

Perfect for monitoring large areas Dedicated Micros SmartVu PTZ features 22x optical zoom and 100m IR distance ensuring vital details are not missed, even at large distances.



Features & Benefits

1920x1080p HD Resolution

22x Optical Zoom

100m IR Distance

MPEG4 / JPEG / H.264 Compression

Closed IPTV – Via Switch

MultiMode – Save Up To 50% On Recording

24v AC

Alarm Handling (With SD Advanced DVR/NVR)

IK10 Vandal Resistant

IP66 Rated

Up To 10 Streams Generated

Video Motion Detection (VMD)

Ordering Information

Part Number	Description
SV-SD8/1080/22/IR	SmartVu 1080 PTZ 22 x Zoom (with IR)

Dedicated Micros Technology Benefits

NetVu Remote Codec

When utilised with a NetVu connected server each camera can work as a remote codec. This is the most efficient means of connection to a DM Closed IPTV server as rather than simply request a stream from the IP camera, and then recode the stream as necessary the remote codec format makes individual requests for streams of frames directly from the codec in the camera.

Using this process the camera becomes an integral extension to the DVR/NVR distributing the processing requirements allowing a greater number of cameras to be connected and managed from one unit as stream communication becomes more efficient, reducing potential bottlenecks.

Ease Of Installation

Dedicated Micros technology removes the need for prior IT networking knowledge facilitating ease of install while ensuring the highest quality IP solution.

Port specific auto detect and auto configure cameras using Closed IPTV

A shared user interface helps minimise operator training whilst powerful features such as direct configuration of PTZ cameras and domes from connected DVR/NVRs helps reduce installation time providing benefits to both end user and installer/integrator.

Customisable

PowerScripting enables user customisation of complex, logical, alarm handling routines and integration of data from external sources. Extra value is created for the user through integration with business processes e.g. access control, building management, process control and manpower management. The result is a measurable return on investment tied in with operational process such as retail loss prevention.

MultiMode Recording And Streaming

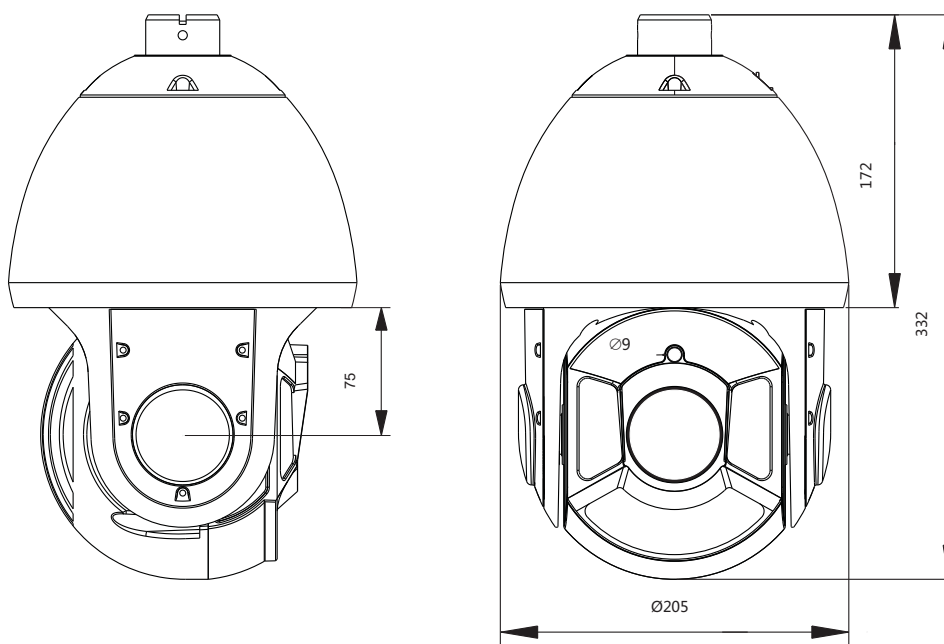
Allows an event trigger from VMD, analytics and alarms to affect an instantaneous change in bit rate, frame rate and resolution. Full HD streams are generated when needed, e.g. for identification purposes, otherwise a standard definition stream saves up to 50% of the user's storage capacity.

Closed IPTV

All DM products are underpinned by the Closed IPTV technology. This encompasses a number of features to ensure security is at the forefront of the solution.

- Trusted Endpoints (a unique secret signature that is shared with the switch and the NVR) ensure any attempt to interfere with the Closed IPTV network will trigger an immediate security alert.
- Removing access to the corporate network via an exposed endpoint (e.g. a camera)
- Restrict Multicast – No one network endpoint can gain access to video from any other cameras or endpoints on the network.
- Firewall settings – Prevents any endpoint from opening a connection to a TCP server on the network

Technical Drawing



Technical Specification

Camera Specification	
Image Sensor	1/4" 2.0 MP CMOS
Effective Pixels	1920(h)x1080(v)p
Zoom	22x Optical
Angle Of View	55° ~ 2.9°
Video Compression	MPEG4 / JPEG / H.264
Day Night	True Day / Night With ICR Filter
Rotation Speed	Pan 0.01 deg – 360/s , Tilt 0.01 deg – 360/s
Shutter	Auto/user 1/5 – 1/50,0000 ; 50/60Hz software selectable
IR LED's	12 Pcs High Powered Super Flux LED's 850mm
IR Distance	100m
Alarms	7 Alarm inputs / 2 output
Ports	1 Ethernet (10/100 Base-T) RJ45, Audio 1 x RCA input / 1 x RCA output: @1V line level,
Brightness	Variable 0-100
Sharpness	Variable 0-100
Light Sensitivity	0.1 Lux @ F1.2 (Colour), (0 lux with IR) IR LEDs
Aspect Ratio	16:9
Weatherproof	IP66
Vandal proof	IK10
General Specifications	
Audio	1 x RCA input
Power	24V AC / 30W (Max)
Gain Control	Auto / Fixed 8~102dB
Light Compensation	BLC /HLC
Network Protocols:	HTTP, TCP/IP, UDP/IP, RTSP, FTP, PoE, NTP. Unicast And Multicast Supported.
Operating Temperature	Operating: -40°C To 60°C / Storage: -20°C To 60°C
Operating Humidity	10~85%RH
Approvals	CE, FCC, RoHS, Vandal Resistant version IK10 & IP66 Weatherproof
Product Dimensions	396.5(w)x368(h)mm
Product Weight	6.0KG
Warranty	
1 year plus additional free 1 year when product registered	



v1.3 27.07.18 © Copyright NetVu Ltd

Design and specifications are subject to change without notice E&O.E