



# SmartVu

## Vandal Dome, Motorised Varifocal, Sony Starvis 1080p

### Ultra-Low-Light sensitivity and Wide Dynamic Range (WDR).

The SmartVu IP camera range includes the vandal dome with the new Sony IMX291 2.13 million pixels CMOS sensor. This provides back illuminated structure and near infra-red sensitivity, nearly three times the sensitivity of its predecessor delivering ultra-low-light performance and WDR.

Ideal for designing a high-quality industrialised HD solution, SmartVu is coupled with NetVu Connected DVR or NVR devices and infrastructure, and can operate standalone, or as part of a distributed recording architecture managed by NetVu and DM's state of the art Enterprise ObserVer or Pick-a-Point PSIM software.

With the intelligence built into the camera, the SmartVu is recording all system diagnostics data with the video to enable fast system checks and predictive maintenance.

Secured at the end point, the SmartVu forms part of NetVu and DM's safe and secure Closed IP architecture which ensures the network is open for business but closed to attacks.

All models (bar the box camera) in the SmartVu range offer the benefit of having remote focus capability. This mitigates the need for camera head focusing, saving both time and cost, while ensuring the highest quality IP installation.

Made in the UK.



## Features and Benefits

- 1920x1080p HD Resolution.
- 3.6mm to 12mm Motorised Varifocal Lens.
- Motorised Remote Focus.
- Closed IPTV – using Secure Network Extender.
- *MultiMode* – Save Up To 50% on Recording.
- Power over Ethernet (PoE) and 12VDC.
- VMD and Alarm Handling (With NetVu Connected DVR/NVR).
- Wide Dynamic Range.
- Exceptional low-light performance.
- IP65 Rated.

# NetVu and Dedicated Micros Technology Benefits

## NetVu Remote Codec

When utilised with a NetVu connected server each camera can work as a remote codec. This is the most efficient means of connection to a DM Closed IPTV server as rather than simply request a stream from the IP camera, and then recode the stream as necessary the remote codec format makes individual requests for streams of frames directly from the codec in the camera.

Using this process, the camera becomes an integral extension to the DVR/NVR, distributing the processing requirements, allowing a greater number of cameras to be connected and managed from one unit as stream communication becomes more efficient, reducing potential bottlenecks.

## Ease of Installation

Dedicated Micros technology removes the need for prior IT or networking knowledge facilitating ease of install while ensuring the highest quality IP solution.

The updated SmartVu range offer remote zoom and auto focus meaning convenient focusing of the cameras is possible over the network, eliminating the need for physical fine tuning at each camera.

Port specific auto detect and auto configure cameras using Closed IPTV.

A shared user interface helps minimise operator training whilst powerful features such as direct configuration of PTZ cameras and domes from connected DVR/NVRs helps reduce installation time providing benefits to both end user and installer/integrator.

## Customisable

PowerScripting enables user customisation of complex, logical, alarm handling routines and integration of data from external sources. Extra value is created for the user through integration with business processes (e.g. access control, building management, process control and manpower management), producing a measurable return on investment tied-in with operational process such as retail loss prevention.

## MultiMode Recording and Streaming




Allows an event trigger from VMD, analytics or alarms to affect an instantaneous change in bit rate, frame rate and resolution. Full HD streams are generated when needed, e.g. for identification purposes, otherwise a standard definition stream saves up to 50% of the user's storage capacity.

## Closed IPTV

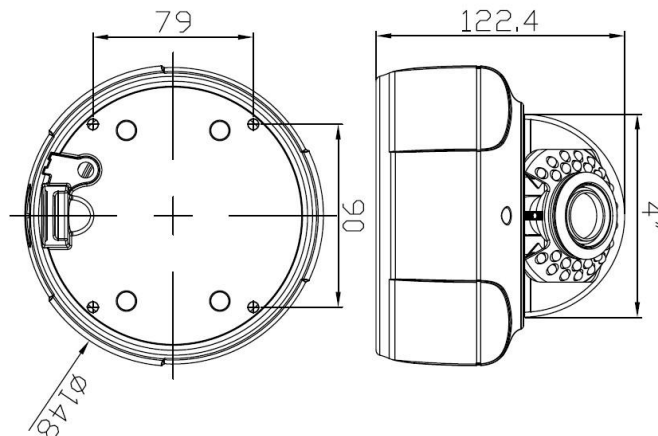
All DM products are underpinned by the Closed IPTV technology. This encompasses a number of features to ensure security is at the forefront of the solution.

- Trusted Endpoints (a unique secret signature that is shared with the switch and the NVR) ensure any attempt to interfere with the Closed IPTV network will trigger an immediate security alert.
- Removing access to the corporate network via an exposed endpoint (e.g. a camera).
- Restrict Multicast – No one network endpoint can gain access to video from any other cameras or endpoints on the network.
- Firewall settings – Prevents any endpoint from opening a connection to a TCP server on the network.

## Bracket Options

<p>Pendant Drop</p> 	<p>Junction Box</p> 	<p>Wall Bracket</p> 
<p>SV-VD/ACC/PDC</p>	<p>SV-VD/ACC/RJB</p>	<p>SV-VD/ACC/PDW</p>

## Technical Drawing



## Technical Specification

Camera Specification	
Image Sensor	1/2.8" 2.13 million pixels HD Progressive Scanning CMOS IMX291.
Effective Pixels	1920x1080p.
AGC	Automatic and Manual. 8dB to 102dB.
Day/Night control	Automatic.
Day / Night	True Day / Night with ICR Filter.
WDR	Multiple exposure-type WDR function.
Signal to Noise Ratio	>50dB.
Minimum Illumination	Colour Mode 0.01Lux (F1.2). Black & White Mode 0.001Lux (F1.2).
Compression	JPEG, H.264 (Up to 10 Different Streaming Profiles).
IR Distance	25m (82').
Interface	One 10M/100M Self-Adaption Ethernet Port, RJ-45.
Lens	
Focal Length	3.6mm to 12mm.
Lens	Motorised Varifocal.
Image Format	1/3".
Focus	Auto-Focus.
Zoom	4 x Optical Zoom.
General Specifications	
Audio	N/A.
Power	12VDC Terminal Input / PoE Class 3. 8W.
Electronic Shutter	Automatic and User Control. 1/5s to 1/50,000s. 50 or 60Hz, Software Selectable.
Light Compensation	BLC / HLC.
Network Protocols:	NetVu Connected, TCP/IP, HTTP, ICMP, SMTP, RTP, RTSP, SNMP, ARP, DDNS, DNS, PoE, P2P,802, SCTP, NTP. Unicast and Multicast Supported.
Operating Temperature	Operating: -20C to 60C. Storage: -20C to 60C. (-4°F to 140°F).
Operating Humidity	0% to 90% Relative Humidity (Non-Condensing).
Approvals	CE marked. Complies with part 15 of FCC CFR47. RoHS Compliant. IP65.
Product Dimensions	122.4mm x 148mm (4 <sup>13</sup> / <sub>16</sub> " x 5 <sup>13</sup> / <sub>16</sub> " ).
Product Weight	0.85kg (1lb, 14oz.).
Warranty	
1 year, plus additional free 1 year when product is registered.	

This camera is displayed using Enterprise ObserVer software or the new NV-HD\* High-definition console.

## Ordering Information

Part Number	Description
SV-VD/1080/3V12/IML	SmartVu Vandal Dome 1080p. Ultra-Low-Light Starvis, WDR, AF**.

\*NV-HD available Q1 2019.

\*\*Note: this product supersedes the SV-VD/3000/3V12/IM.



Version 1.5. 31/01/2019 © Copyright NetVu Ltd

Design and specifications are subject to change without notice E.&O.E.